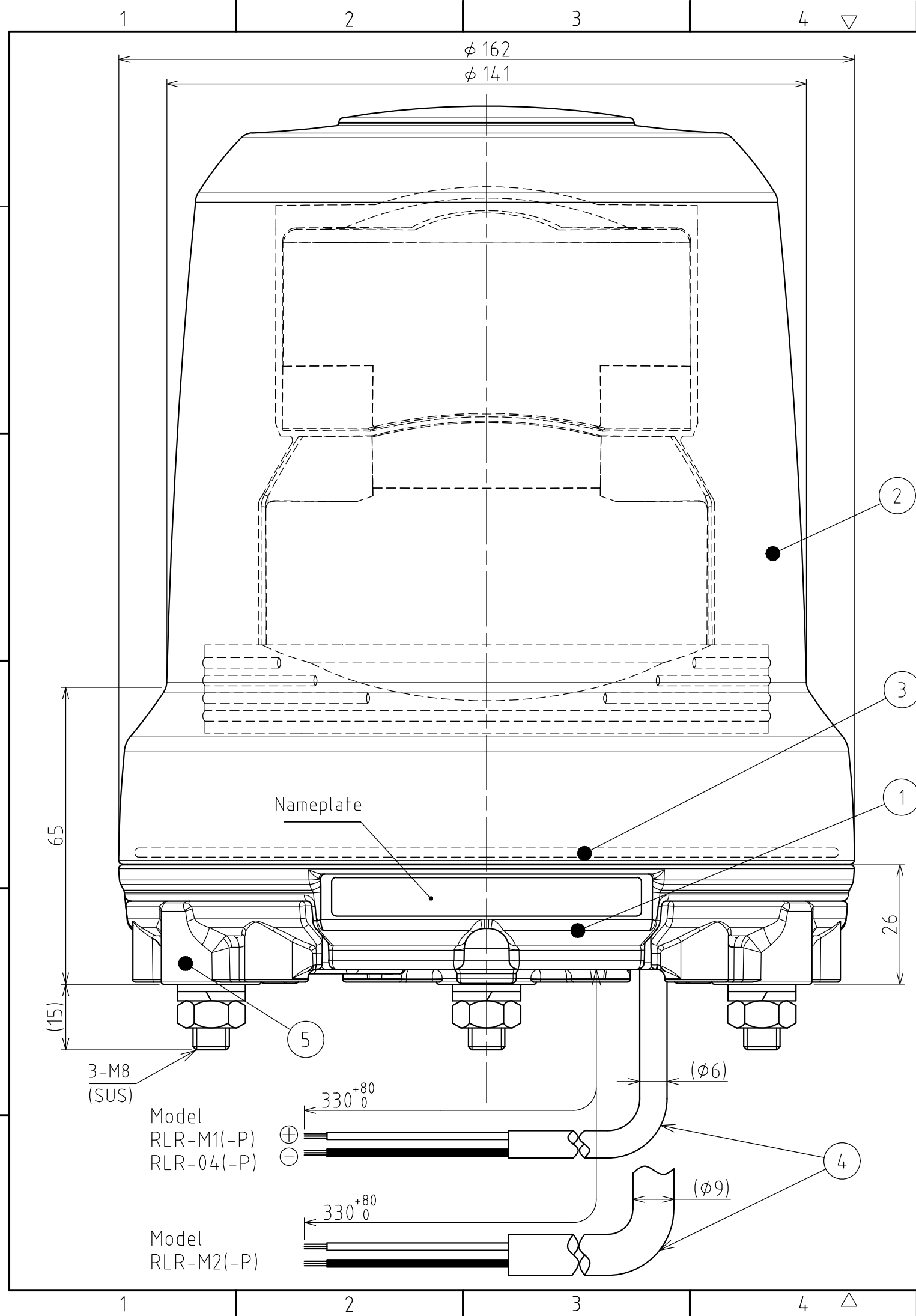


Drawing No.	Rev.	Page
RLR-W18	F	1/2

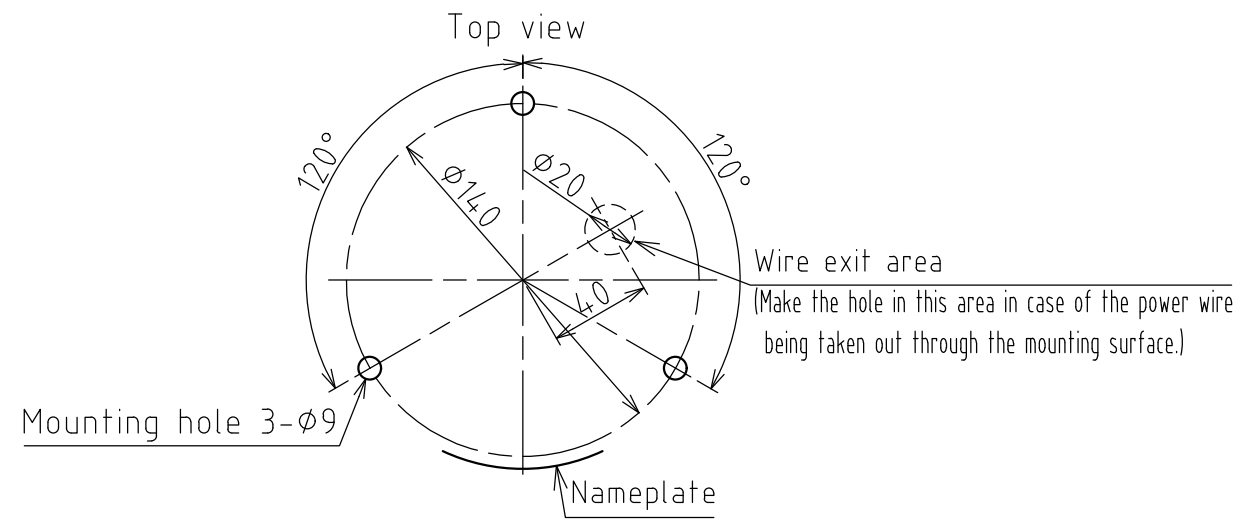
SPECIFICATIONS

[General Specifications]

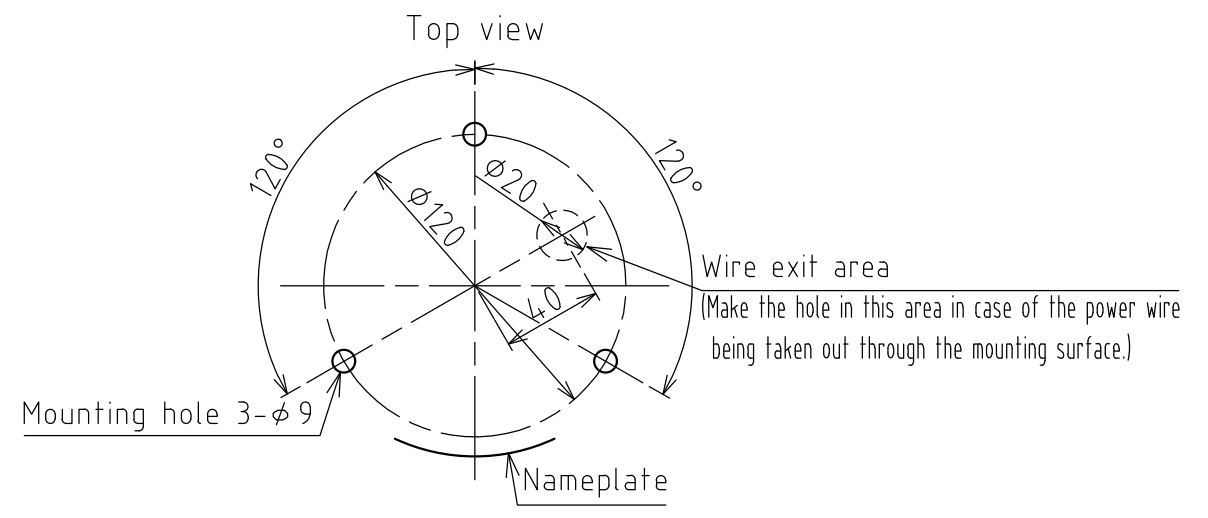
Product Name	LED 162mm Rotating		
Model	RLR-M1	RLR-04	RLR-M2
Rated Voltage	12V DC / 24V DC	48V DC	100V AC to 240V AC (50/60Hz)
Operating Voltage Range	9V DC to 32V DC	35V DC to 60V DC	90V AC to 250V AC (50/60Hz)
Rated Power Consumption	7.6W	8.2W	7.8W
Inrush Current	12V DC: 12A, 0.3ms 24V DC: 23A, 0.3ms	48V DC: 0.5A, 800ms	100V AC: 11A, 0.7ms 200V AC: 21A, 0.7ms
Operating Ambient Temperature	-30°C to +70°C		-10°C to +50°C
Operating Ambient Humidity	Less than 90% (No condensation)		
Mounting Location	Indoors and Outdoors		
Mounting Direction	Upright, Inverted		
Protection Rating	IP66		
Vibration Resistance	110m/s ² (JIS D 1601-1995, 110 steps)		45m/s ² (JIS D 1601-1995, 45 steps)
Insulation Resistance	More than 1MΩ at 500V DC		More than 3MΩ at 500V DC
Withstand Voltage	between live part and non-current carrying metallic part		
	500V AC applied for 1min		4000V AC applied for 1min
Flashing Rate	105 ± 16 Flashes Per Minute		
Luminous Intensity	Red : 1,500cd Amber : 5,400cd Green : 3,900cd Blue : 1,000cd		
Mass	1.0 ± 0.1kg		1.06 ± 0.1kg
Outer Dimensions	Refer to the Outer Dimension Drawing		
Conformity Standards	EMC Directive (EN 61000-6-2, EN 61000-6-4)		-
Remarks	<p>Conforms to the CE Requirements (Excluding RLR-M2) Conforms to the UKCA Requirements (Excluding RLR-M2)</p> <p>There are no contents of controlled substances exceeding the threshold for the RoHS Directive.</p> <p>< Model Number Configuration ></p> <p>RLR - □□ - P - □</p> <div style="display: flex; justify-content: space-between; align-items: flex-start;"> <div style="margin-left: 100px;"> <p>None : Installation pitch circle φ140</p> <p>-P : Installation pitch circle φ120</p> </div> <div style="margin-left: 100px;"> <p>M1 : 12V DC / 24VDC</p> <p>04 : 48V DC</p> <p>M2 : 100V AC to 240V AC</p> </div> <div style="margin-left: 100px;"> <p>R : Red</p> <p>Y : Amber</p> <p>G : Green</p> <p>B : Blue</p> </div> </div>		



5		6		7		8	
角度公差 $\pm [^\circ]$ Angular tolerance $\pm [^\circ]$		寸法公差 $\pm [mm]$ Dimensional tolerance $\pm [mm]$		図番 Drawing No.		ページ Page	
指定公差 General tolerance	短辺長さ Length of short side	精 f	中 m	粗 c	改訂 Rev.	年月日 Date	改訂履歴 Revisions
	10 50 100	0.05 0.1 0.2	0.1 0.3 0.5	0.3 0.5 1			
	1 0.5 0.3 0.1	0.05 0.1 0.2 0.4 0.6	0.1 0.3 0.5 0.7 1	1 1.2 2			
	3 1.5 1 0.5						



RLR-□□: Mounting hole template (1:3)



RLR-□□-P: Mounting hole template (1:3)

5	Rubber foot	3	EPDM, Black
4	Power wire	1	RLR-M1/04: HVCTF Black, 0.5mm ² X2C RLR-M2 : VCT Black, 0.75mm ² X2C
3	O-ring	1	Silicone rubber
2	Dome	1	PC Resin, Red · Amber · Green · Blue
1	Case	1	ABS Resin, Black
番号 No.	部品名 Part Name	数量 Qty.	記事 Remarks

機種 Model	RLR-□□(-P)	特注No. S.P.No.	-	図名 Name	Outer Dimensions Drawing
品目コード Part No.	-	尺度 Scale	1:1	三角法 3rd Angle P.	株式会社 パトライト PATLITE Corporation