

## Optional Speaker User's Manual

[ Model : SPB-5E ]

Thank you very much for purchasing our PATLITE product. Prior to installation, please read through this manual for proper installation and precautionary steps. When doing maintenance and repair, etc., please be sure to reread this book. In addition, if there are any questions concerning this product, feel free to contact your PATLITE Sales Representative.

### Safety Precautions

In order to prevent any damage to the user and other personnel or to assets, note the following:

■ The warning indications are divided into the following classes according to the degree of danger or damage incurred when the warning is not taken into consideration and the product is not correctly used.

**⚠ WARNING** Indicates a potentially dangerous condition: Failure to follow the instructions may lead to slight injury or property damage.

**⚠ CAUTION** Indicates an imminently dangerous condition: failure to follow the instructions may lead to death or serious injury.

### 1. For safe application, observe the following:

**⚠ WARNING**

- Be sure the power is disconnected before wiring or installing this product. Double check to prevent mistakes. Short-circuiting will result in damage to the internal circuitry of the product, and possible cause of fire may also result.
- Use the proper speaker rating for the application. Improper wiring will result in damage to the internal circuitry of the product, and a possible cause of fire may also result.

**⚠ CAUTION**

- Request the installation and wiring be performed by a professional contractor. Failure to comply can result in injury due to the speaker falling and causing damage.
- Do not apply pressure or heat to the speaker diaphragm. Damage, deformity and possibility risk that sound may not come out normally can occur.
- Do not install the product in a location where vibrations exceeding the specifications exist, or on any vehicles. Failure to comply can result in injury due to the speaker falling and causing damage.

Contrary to Warnings and Cautions indicated in this document, product failure due to mishandling, disassembly, modifications or natural disasters, etc. is not covered by any Warranty. Moreover, avoid any applications outside those indicated in this document.

**NOTE**

- Do not use in an environment exposing strong radio waves or inductance noise. Failure to the speaker may result from the inductive noise.
- When this product is used for security purposes, it should be inspected daily and it is recommended this product should be used together with other security products in case a malfunction should occur.

## 2. Model Number Configuration

# SPB-5E

■ Rated Input  
5 : 5 W

■ Impedance  
E : 8 Ω

### ⚠ CAUTION

- The clamping surface should be sufficient enough to tolerate the weight of the product. Also, do not install the product in a location where vibrations exceeding the specifications exist, or on any vehicles. Failure to comply may result in the prevention of the product detaching and falling, causing injury to a passer-by, etc.
- Both mounting screws should be attached with the recommended torque at any cost. Failure to comply may result in the prevention of the product detaching and falling, causing injury to a passer-by, etc.

### ATTENTION

- Assure there is ample rotation space available for the front cover when mounting. Install the product on a flat surface with no uneven surfaces. Failure to comply will weaken its resistance to water and dust.
- If installing the product where vibrations exist, it is recommended to make periodic inspections, use screw lock liquids, etc., to prevent the product from falling or screws to loosen.
- When installing in high places, choose a location which is accessible by a scaffold, ladder, etc., for repairs.
- When operating the product by controlling the power ON/OFF, be sure to include a switch by which the power supply can be easily cut near the main power for safety.

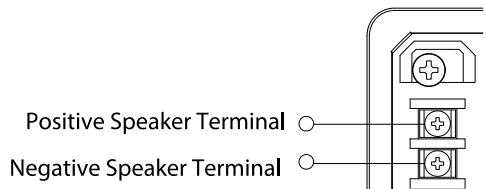
### NOTE

- Depending on the material quality and thickness of installation surface and volume, the product may resonate and cause an oscillating sound.

## 5. Wiring

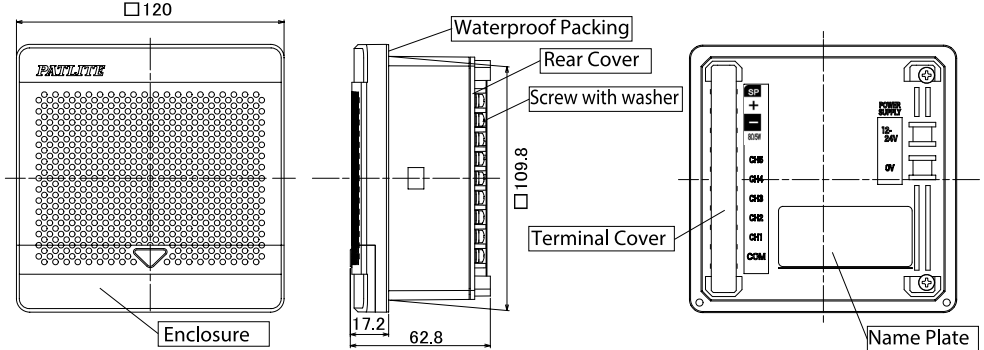
- Refer to the figure on the right when wiring.

\* Be sure the power is disconnected before installing this product. Failure to comply may result in damage of the internal circuitry and the danger of electric shock due to short-circuiting.



### 3. Part Names

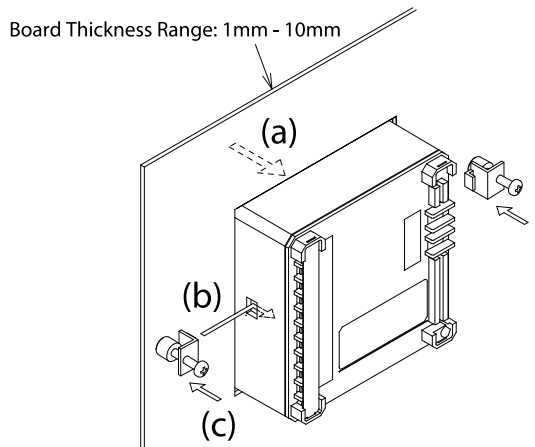
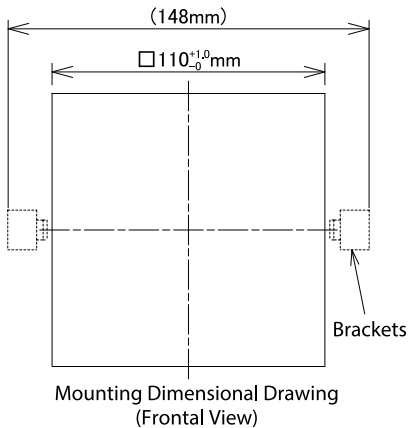
#### ■ Outside Appearance [Unit: mm]



### 4. Installation

Please follow the guidelines to this procedure.

- ① Please mount on a flat surface with a panel thickness of 1 mm to 10 mm with enough space for properly clamping the bracket onto. (Refer to the "Panel-mount Dimension drawing")
- ② Insert (a) products from before a clamp face, and hook attachment lug of (b) accessories on the hole of a product side face. Please bolt the screw thread of (c) attachment lug. (Recommendation bolting torque: 0.7 N-m)
- ③ Check that the product and clamps have been properly tightened before placing the front cover back on.



#### ⚠ WARNING

- The power supply should be turned off prior to attachment at any cost. Failure to comply may result in electric shock.
- Request the installation and wiring be performed by a professional contractor. There is a risk of an electric shock, fire, or falling.

## 6. Before Requesting Repair

Problem	Inspection Checklist
No sound comes out of the speaker.	<ul style="list-style-type: none"> <li>○ Check whether proper voltage is applied to the power supply terminal for the amplifier or annunciator unit.</li> <li>○ Check whether it is connected correctly.</li> <li>○ Check the volume level of the voice synthesizer or amp equipment.</li> </ul>

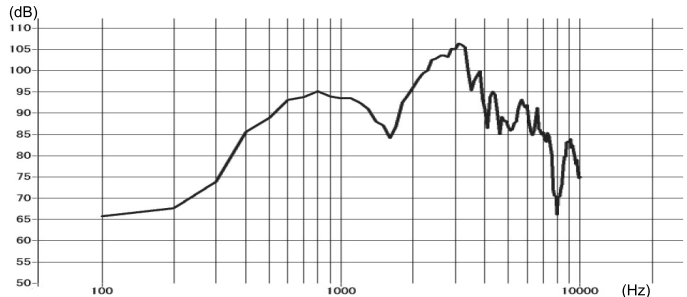
- Even after proper installation, if it does not operate, please contact your nearest PATLITE Sales Representative or contact us with the information found on the last page of this book.

## 7. Specifications

Model Name	SPB-5E
Rated Input	5W
Input Impedance	8 ohm $\pm$ 15%
Sound Pressure Level	90 dB/W at 1m (average of 400, 500, 600, and 800Hz)
Operating Temperature Range	-20 °C ~ +50 °C (85% RH or less)
Mass	290g $\pm$ 10%

### ■ Output sound pressure frequency characteristic

MODEL	SPB-5E
INPUT	1W
IMP	8Ω
DISTANCE	1m
SENSITIVITY	dB



Output sound pressure frequency characteristic diagram

### CAUTION

- Responsibility will not be taken if failure or damage, etc., is caused by handling in contrary to the warnings and notes written in this operation manual.
- Specifications may change without notice due to continual product improvement.

## PATLITE Corporation G2J

<b>PATLITE Corporation</b> ※Head office	■ <a href="http://www.patlite.com/">www.patlite.com/</a>
<b>PATLITE (U.S.A.) Corporation</b>	■ <a href="http://www.patlite.com/">www.patlite.com/</a>
<b>PATLITE Europe GmbH</b> ※Germany	■ <a href="http://www.patlite.eu/">www.patlite.eu/</a>
<b>PATLITE (SINGAPORE) PTE LTD</b>	■ <a href="http://www.patlite-ap.com/">www.patlite-ap.com/</a>
<b>PATLITE (CHINA) Corporation</b>	■ <a href="http://www.patlite.cn/">www.patlite.cn/</a>
<b>PATLITE KOREA CO., LTD.</b>	■ <a href="http://www.patlite.co.kr/">www.patlite.co.kr/</a>
<b>PATLITE TAIWAN CO., LTD.</b>	■ <a href="http://www.patlite.tw/">www.patlite.tw/</a>
<b>PATLITE (THAILAND) CO., LTD.</b>	■ <a href="http://www.patlite.co.th/">www.patlite.co.th/</a>
<b>PATLITE MEXICO S.A. de C.V.</b>	■ <a href="http://www.patlite.com.mx/">www.patlite.com.mx/</a>