

SPECIFICATIONS

[General Specifications]

Lead Wires Type

Model	5 tiers	LS7-502(D/S)FBWH-RYGBC
	3 tiers	LS7-302(D/S)FBWH-RYGNN
UL Registered Model		LS7-_02(D/S)FBWH
Rated Voltage		24V DC (Non-polar)
Operating Voltage Range		Rated Voltage \pm 10%
Signal Wire Current (Rated Current Consumption)	Typ.	Per Unit Red: 20mA Amber: 30mA Green: 30mA Blue: 30mA White: 30mA Buzzer 30mA
	Max.	Per Unit Red: 35mA Amber: 40mA Green: 40mA Blue: 40mA White: 40mA Buzzer 40mA
Inrush Current		150mA
Standby Current		10 \pm 5mA
Operating Ambient Temperature		-30°C to +60°C
Operating Ambient Humidity		Less than 90% (No condensation)
Mounting Location		Indoors
Mounting Direction		Upright
Protection Rating		IP54 (IEC 60529)
Environmental Condition		Install the signal light on a sturdy and level surface
Vibration Resistance		19.6m/s ²
Insulation Resistance		More than 1M Ω at 500VDC between the terminals and the chassis
Withstand Voltage		500VAC applied for 1min between terminals and chassis without breaking insulation
Flashing Rate		60 \pm 12 Flashes Per Minute
Sound Pressure Level		[Buzzer1] Max.: More than 82 dB Min.: Less than 70 dB [Buzzer2] Max.: More than 85 dB Min.: Less than 70 dB
Environmental Condition		Front direction from the center/at 1m
Luminous Intensity		Red: more than 490mcd Amber: more than 1140mcd Green: more than 940mcd Blue: more than 195mcd White: more than 1000mcd
Mass (Tolerance \pm 10%)		0.37kg
Outer Dimensions		Refer to Outer Dimension Drawing
Conformity Standards		UL 508, CSA-C22.2 No. 14
		EMC Directive (EN 61000-6-4, EN 61000-6-2)
		RoHS Directive (EN 50581)
Remarks		<ul style="list-style-type: none"> • Conforms to the CE requirements • UL Recognized Component (File No.E215660) • The standby current is based on a product with an operating, the current will be higher.

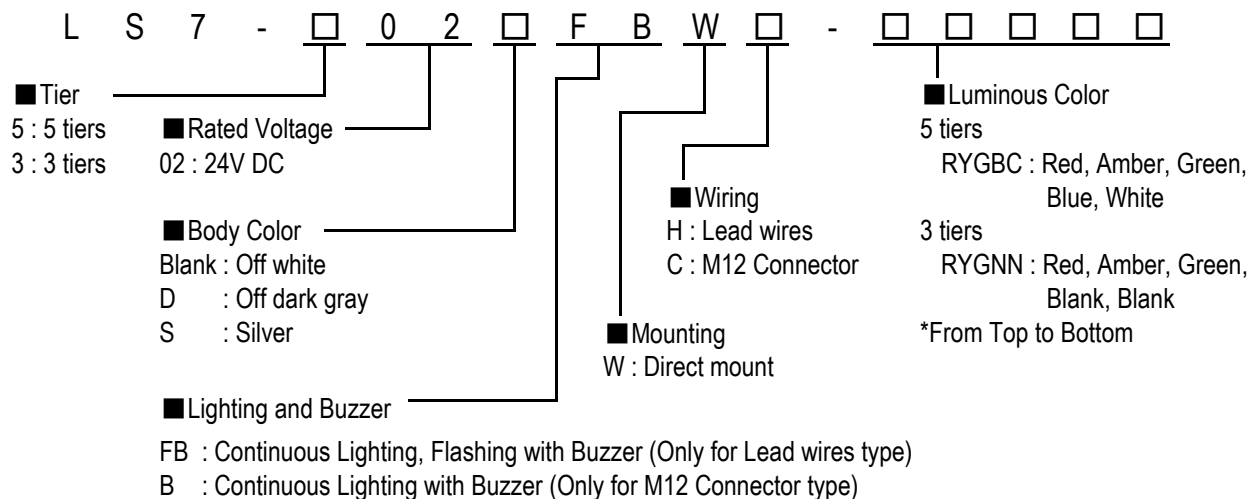
No.LS7-502B-W18B-1_4

PATLITE Corporation

M12 Connector Type

Model	5 tiers	LS7-502(D/S)BWC-RYGBC
	3 tiers	LS7-302(D/S)BWC-RYGNN
UL Registered Model		LS7-02(D/S)BWC
Rated Voltage		24V DC (Non-polar)
Operating Voltage Range		Rated Voltage ±10%
Signal Wire Current (Rated Current Consumption)	Typ.	Per Unit Red: 20mA Amber: 30mA Green: 30mA Blue: 30mA White: 30mA Buzzer 40mA
	Max.	Per Unit Red: 35mA Amber: 40mA Green: 40mA Blue: 40mA White: 40mA Buzzer 55mA
Inrush Current		150mA
Standby Current		10±5mA
Operating Ambient Temperature		-30°C to +60°C
Operating Ambient Humidity		Less than 90% (No condensation)
Mounting Location		Indoors
Mounting Direction		Upright
Protection Rating		IP54 (IEC 60529)
Environmental Condition		Install the signal light on a sturdy and level surface
Vibration Resistance		19.6m/s ²
Insulation Resistance		More than 1MΩ at 500VDC between the terminals and the chassis
Withstand Voltage		500VAC applied for 1min between terminals and chassis without breaking insulation
Sound Pressure Level		More than 82 dB Min.: Less than 70 dB
Environmental Condition		Front direction from the center/at 1m
Luminous Intensity		Red: more than 490mcd Amber: more than 1140mcd Green: more than 940mcd Blue: more than 195mcd White: more than 1000mcd
Mass (Tolerance ±10%)		0.32kg
Outer Dimensions		Refer to Outer Dimension Drawing
Conformity Standards		UL 508, CSA-C22.2 No. 14
		EMC Directive (EN 61000-6-4, EN 61000-6-2)
		RoHS Directive (EN 50581)
Remarks		<ul style="list-style-type: none"> Conforms to the CE requirements UL Recognized Component (File No.E215660) The standby current is based on a product with an operating, the current will be higher.

[Model Number Configuration]



No.LS7-502B-W18A-2_4

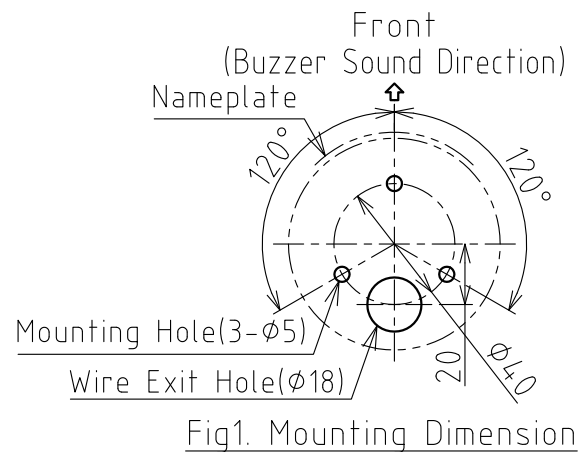
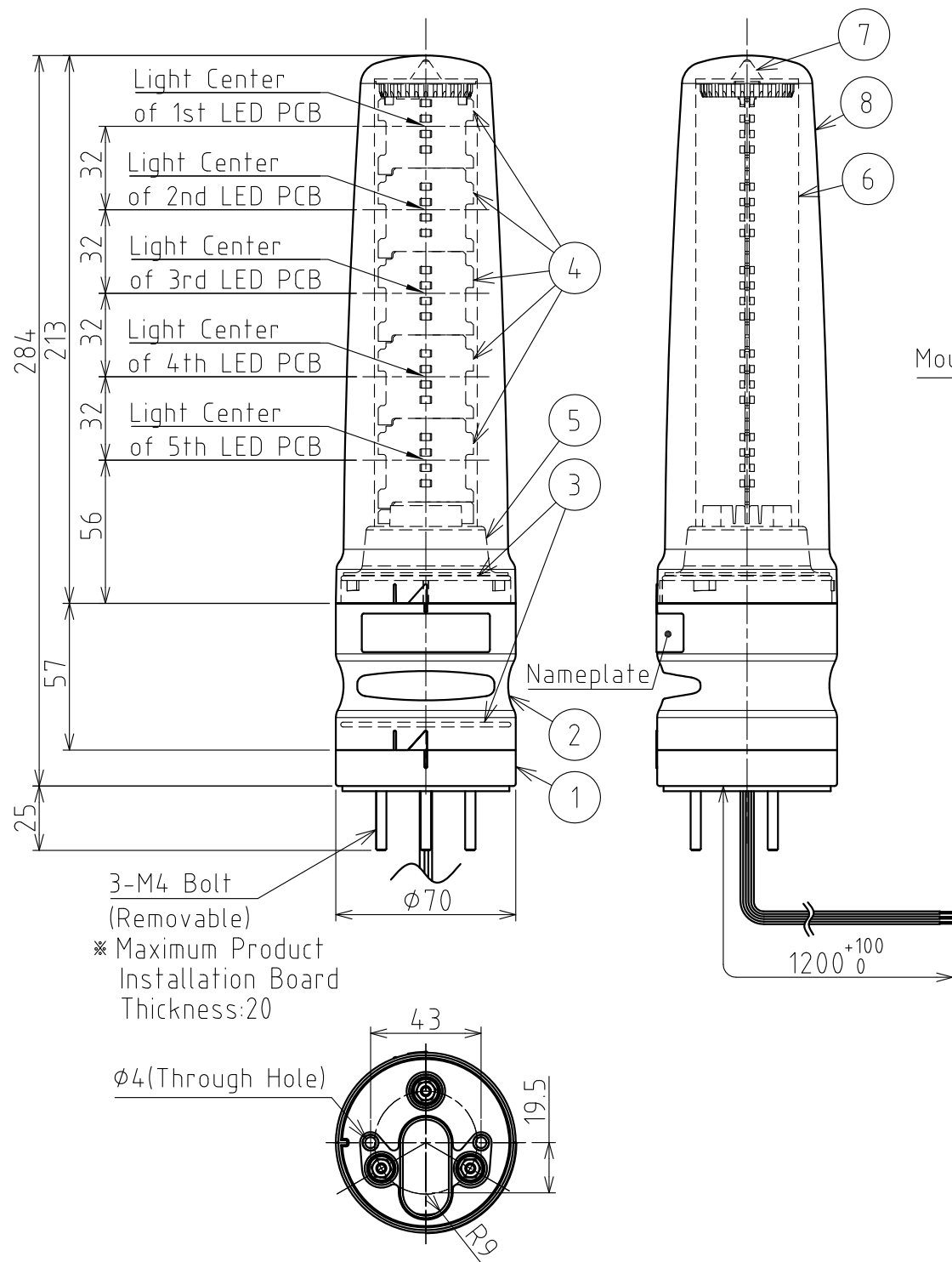
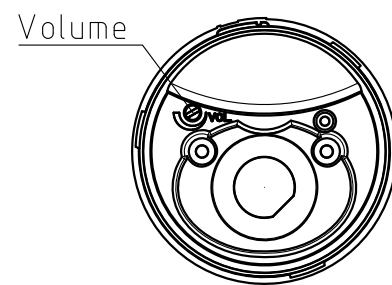


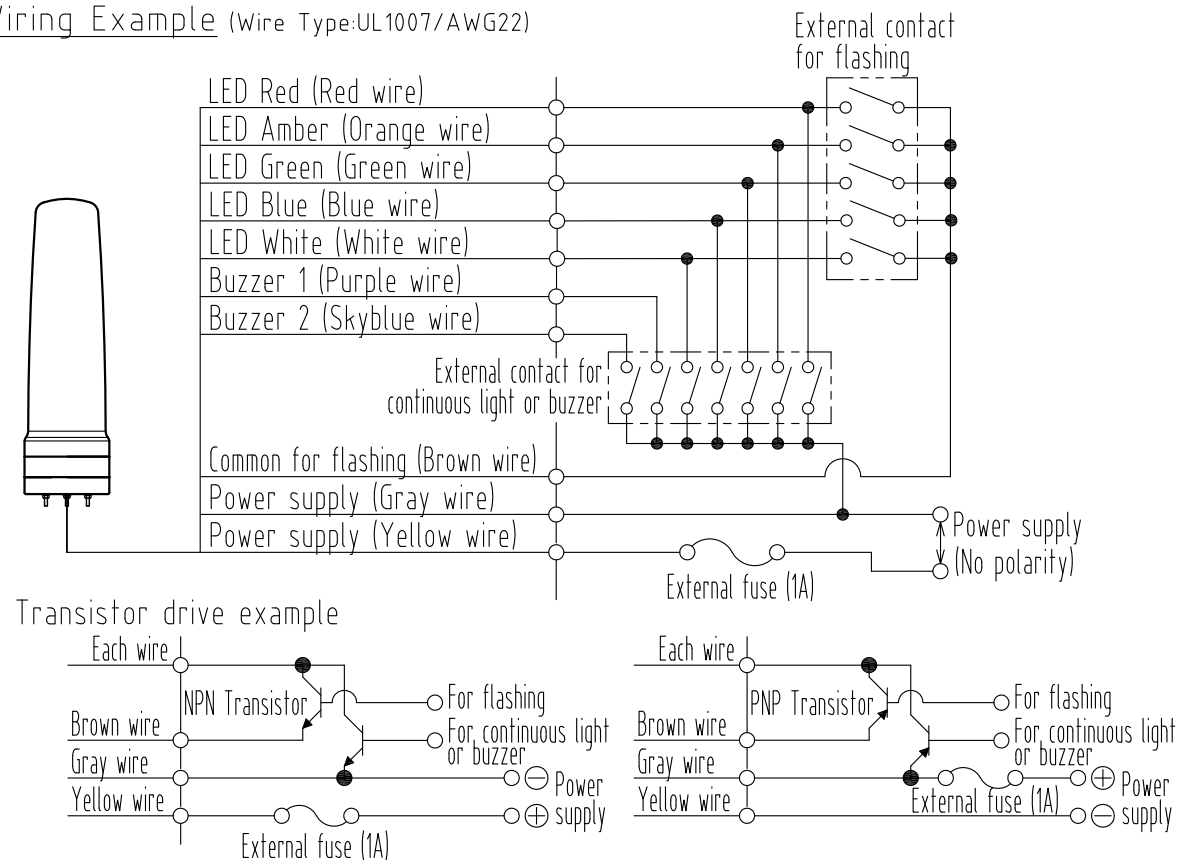
Fig1. Mounting Dimension



* Volume is turned clockwise to increase the sound level.

Fig2. Position of the volume (Body Underside view)

Wiring Example (Wire Type:UL1007/AWG22)



Note

1. For water protection, refer to Fig1. for product upright positioning, do not make any additional holes beyond the three holes for mounting and one hole for wiring.
2. The Buzzer Volume is located on the underside of the body and is accessible by dismantling the product. (Refer to fig2.)
3. When these are unused lead wires, be sure to separately insulate the ends of each unused wire.

8	Outer Cover	-	1	PC	
7	Cap	-	1	Si	
6	Inner Lens	-	1	PC	
5	Inner Lens Bracket	-	1	ABS (S:Silver Painting)	
4	LED PCB	-	5		
3	O-ring	-	2	Si	
2	Base	-	1	ABS (S:Silver Painting)	
1	Mount	-	1	ABS (S:Silver Painting)	
番号 No.	部品名 Part Name	品目コード Part No.	数量 Qty.	材料 & 寸法 & 処理 Material & Size & Finish	記事 Remarks

外観図面
Outer Dimension Drawing

株式会社 パトライト
PATLITE Corporation

LS7-502B-W18B-3_4

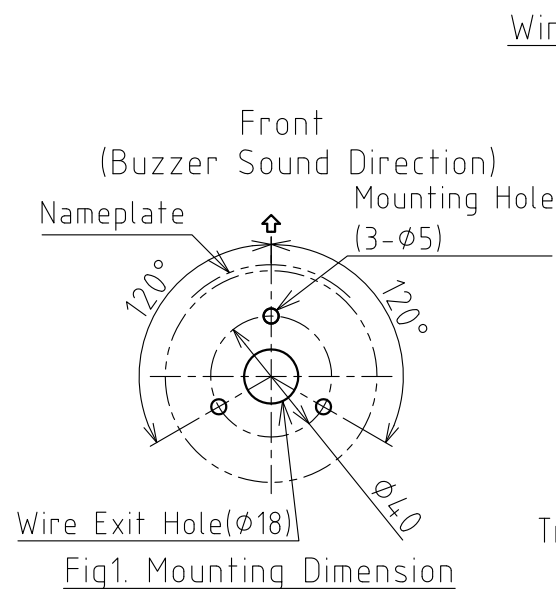
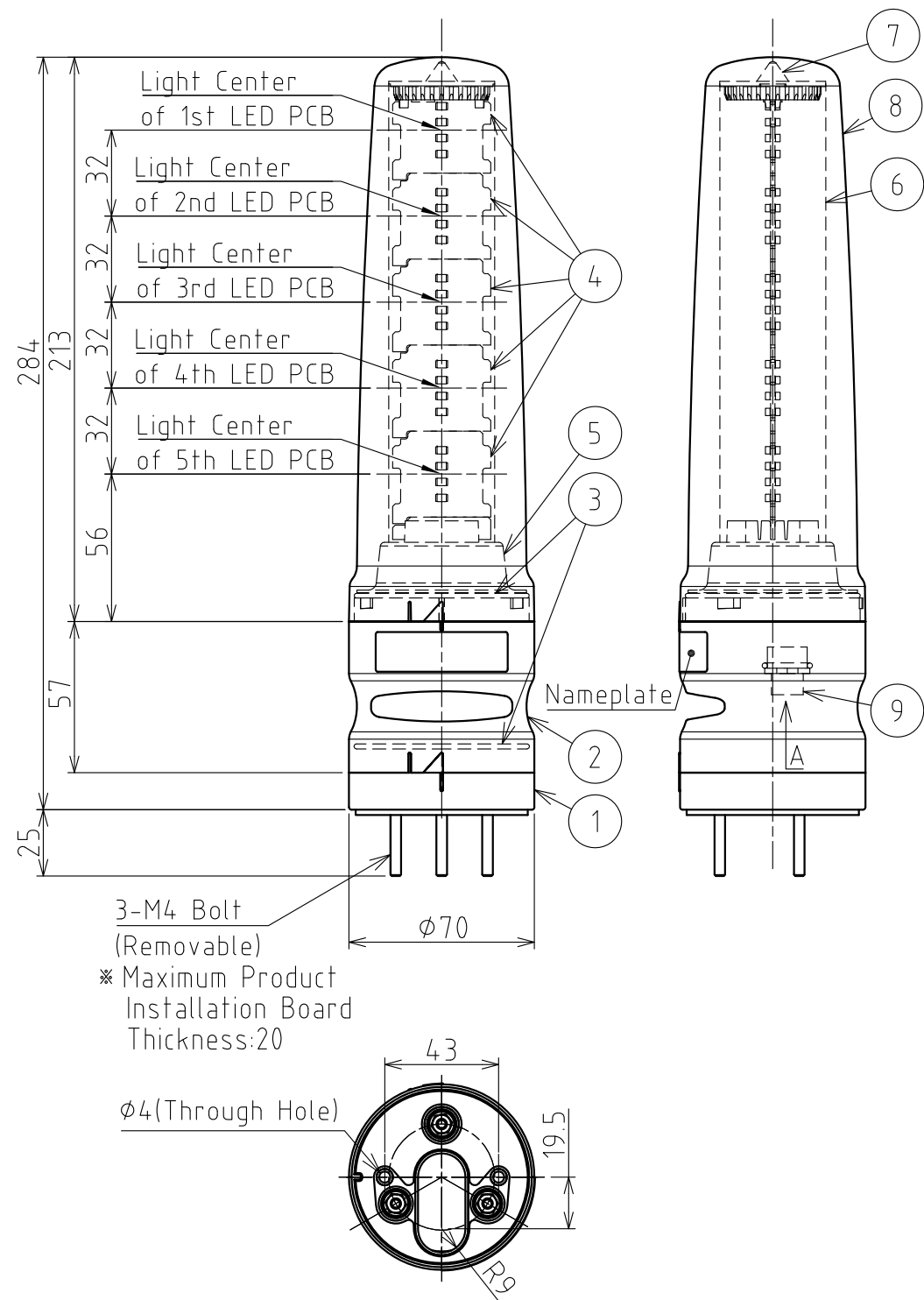
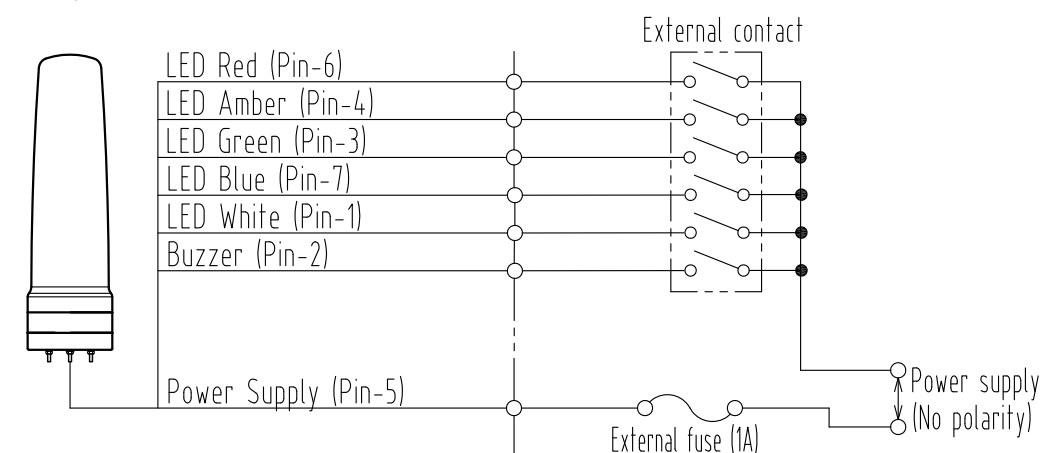


Fig1. Mounting Dimension

Wiring Example



Transistor drive example

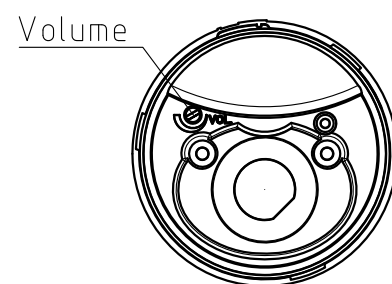
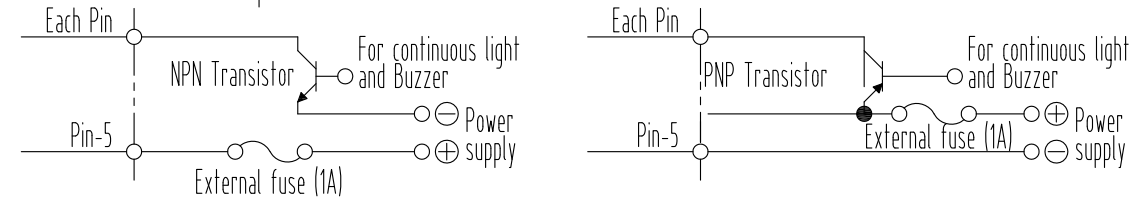


Fig2. Position of the volume (Body Underside view)

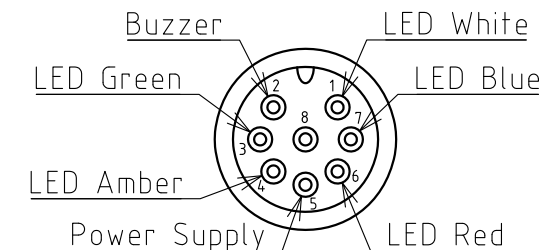


Fig3. M12 Connector Pin Layout (View of A)

Note

- For water protection, refer to Fig1. for product upright positioning, do not make any additional holes beyond the three holes for mounting and one hole for wiring.
- The Buzzer Volume is located on the underside of the body and is accessible by dismantling the product. (Refer to fig2.)
- The Cable used to Connector with the M12 Connector is an Optional Part.

9	M12 Connector	-	1	XS2M-D824-4 (OMRON)	
8	Outer Cover	-	1	PC	
7	Cap	-	1	Si	
6	Inner Lens	-	1	PC	
5	Inner Lens Bracket	-	1	ABS (S:Silver Painting)	
4	LED PCB	-	5		
3	O-ring	-	2	Si	
2	Base	-	1	ABS (S:Silver Painting)	
1	Mount	-	1	ABS (S:Silver Painting)	
番号 No.	部品名 Part Name	品目コード Part No.	数量 Qty.	材料 & 寸法 & 処理 Material & Size & Finish	記事 Remarks

外観図面
Outer Dimension Drawing

株式会社 パトライト
PATLITE Corporation

LS7-502B-W18B-4_4